

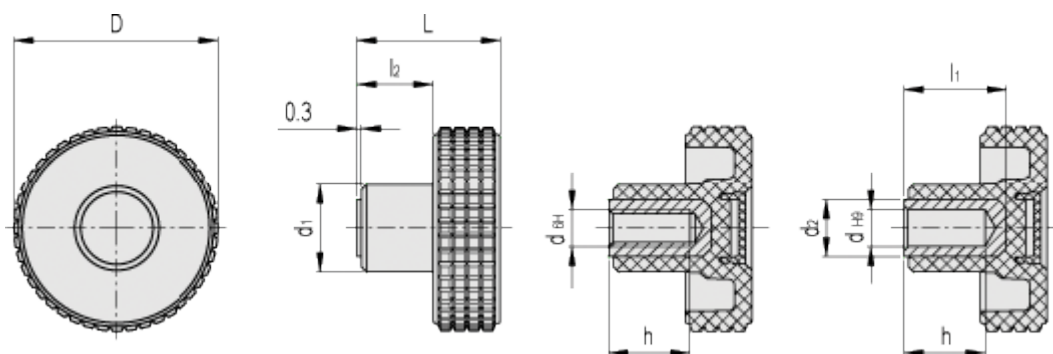
Data Sheet



Article number: 23020344119

Description: E+G Fingergreb MBT.50-B-6-C9, black centre cap

Measures



D	= 50	l2	= 16
d1	= 20		
d2	= 15		
dH6	= -		
dH9	= 6		
h	= 18		
L	= 33		
l1	= 23		